



FITTING INSTRUCTIONS

TO BE FITTED BY A QUALIFIED TECHNICIAN



2021-2023 Multistrada V2 |
DesertX | Monster + | Monster SP

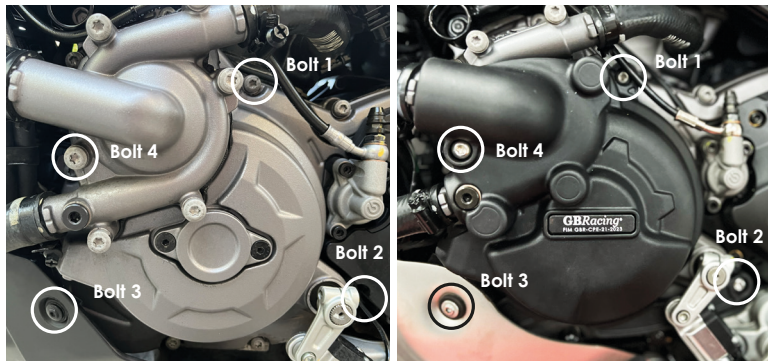
THIS SHEET INCLUDES FITTING INSTRUCTIONS FOR THE FOLLOWING PARTS:

Secondary Alternator Cover Part No. EC-V2-950-2021-1-GBR / Secondary Clutch Cover Part No. EC-V2-950-2021-2-GBR

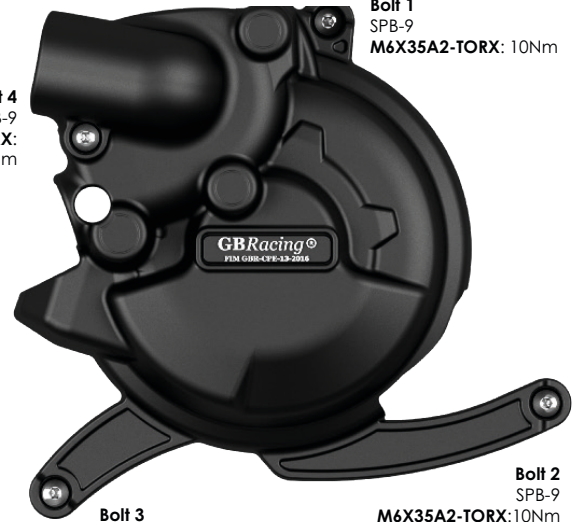


SECONDARY ALTERNATOR COVER PART NO. EC-V2-950-2021-1-GBR

- 1 Remove skid plate if fitted.
- 2 Remove the 4 standard bolts as shown as bolt position 1, 2, 3 & 4.
- 3 Place the secondary alternator cover over the standard alternator.
- 4 Insert the 4 supplied bolts and tighten to a maximum of 10Nm as per manufacturer's recommendations. **DO NOT OVERTIGHTEN**
- 5 Reinstall skid plate if fitted.



Bolt 4
SPB-9
M6X35A2-TORX:
10Nm



Bolt 1
SPB-9
M6X35A2-TORX: 10Nm

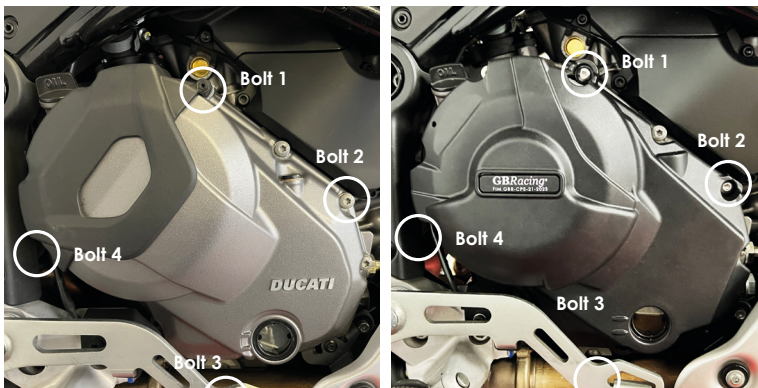
Bolt 2
SPB-9
M6X35A2-TORX: 10Nm

Bolt 3
SPB-9
M6X35A2-TORX:
10Nm

SECONDARY CLUTCH COVER PART NO. EC-V2-950-2021-2-GBR

Please note: If your model is fitted with a small plastic OE cover this will need to be removed before fitting the GBRacing secondary clutch cover.

- 1 Remove the 4 standard bolts as shown as bolt position 1, 2, 3 & 4.
- 2 Place the secondary clutch over the standard clutch.
- 3 Insert the 4 supplied bolts and tighten to a maximum of 10Nm as per manufacturer's recommendations.
DO NOT OVERTIGHTEN



Bolt 4
SPB-9
M6X40A2-TORX: 10Nm



Bolt 1
SPB-9
M6X40A2-TORX: 10Nm

Bolt 2
SPB-9
M6X40A2-TORX:
10Nm

Bolt 3
SPB-9
M6X40A2-TORX: 10Nm

ENGINE COVER SET: Part No. EC-V2-950-2021-SET-GBR:

EC-V2-950-2021-1-GBR, EC-V2-950-2021-2-GBR

www.GBRacing.eu