

FITTING INSTRUCTIONS

TO BE FITTED BY A QUALIFIED TECHNICIAN

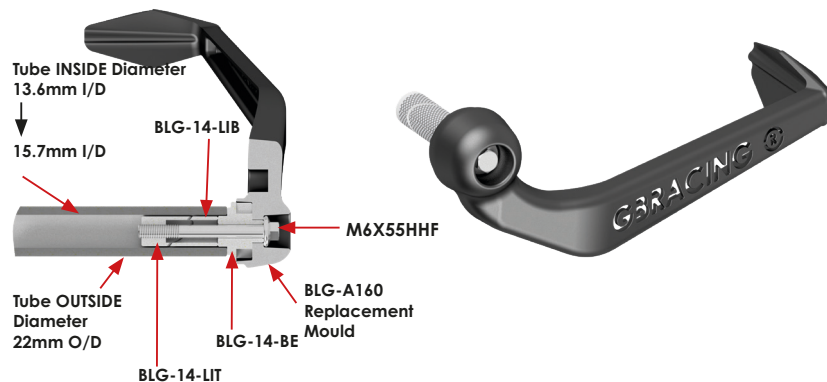
UNIVERSAL BRAKE LEVER GUARDS

UNIVERSAL BRAKE LEVER GUARD WITH 14mm INSERT (Fits tube inside diameters from 13.6mm to 15.7mm)

PART NO. BLG-14-A160-GBR

- 1 Remove existing bar end and replace with supplied bar end.
- 2 Tighten bolt until the lever protector is tight and does not move up or down under normal pressure.
- 3 Do not ride if you are unsure if it is tight enough and always get a trained technician to confirm.

Please note: We recommend to use a medium thread lock (not supplied) for correct operation.

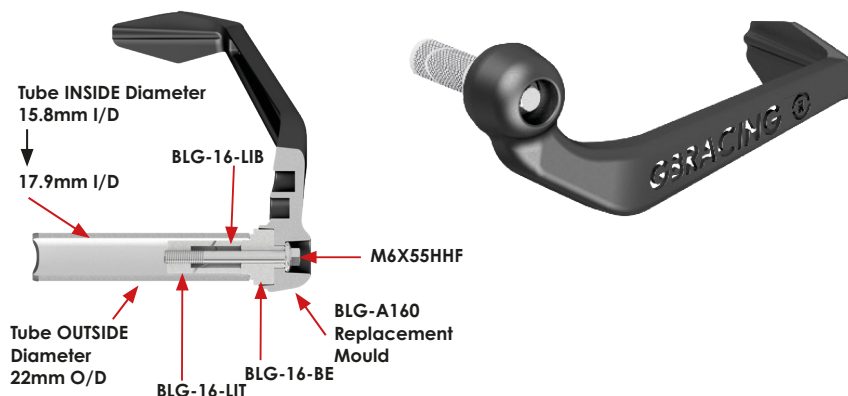


UNIVERSAL BRAKE LEVER GUARD WITH 16mm INSERT (Fits tube inside diameters from 15.8mm to 17.9mm)

PART NO. BLG-16-A160-GBR

- 1 Remove existing bar end and replace with supplied bar end.
- 2 Tighten bolt until the lever protector is tight and does not move up or down under normal pressure.
- 3 Do not ride if you are unsure if it is tight enough and always get a trained technician to confirm.

Please note: We recommend to use a medium thread lock (not supplied) for correct operation.



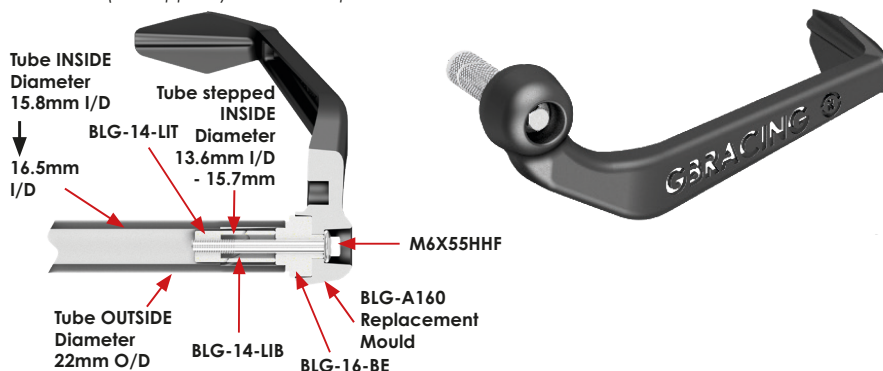
UNIVERSAL BRAKE LEVER GUARD WITH 16mm BAR END WITH A 14mm INSERT

PART NO. BLG-16-14-A160-GBR

(Fits tube inside diameters from 15.8mm to 16.5mm with a smaller stepped internal diameter of 13.6-15.7mm)

- 1 Remove existing bar end and replace with supplied bar end.
- 2 Tighten bolt until the lever protector is tight and does not move up or down under normal pressure.
- 3 Do not ride if you are unsure if it is tight enough and always get a trained technician to confirm.

Please note: We recommend to use a medium thread lock (not supplied) for correct operation.

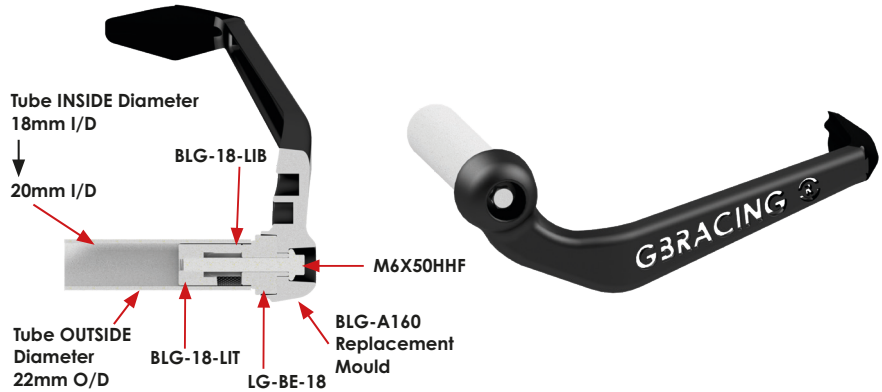


FITTING INSTRUCTIONS

TO BE FITTED BY A QUALIFIED TECHNICIAN

UNIVERSAL BRAKE LEVER GUARD WITH 18mm INSERT (Fits tube inside diameters from 18mm to 20mm) PART NO. BLG-18-A160-GBR

- 1 Remove existing bar end and replace with supplied bar end.
 - 2 Tighten bolt until the lever protector is tight and does not move up or down under normal pressure.
 - 3 Do not ride if you are unsure if it is tight enough and always get a trained technician to confirm.
- Please note: Please note: We recommend to use a medium thread lock (not supplied) for correct operation..*

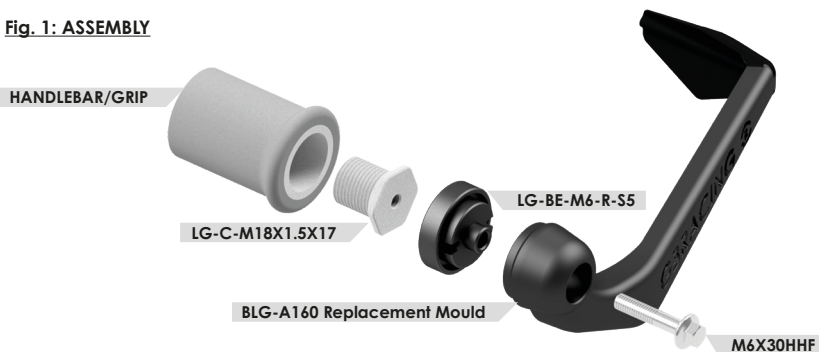


M18 THREADED BRAKE LEVER GUARD, 5mm SPACER BAR END, 160mm PART NO. BLG-M18-S5-A160-GBR

- 1 Remove existing bar end and replace with supplied assembly as in Fig. 1 below.
 - 2 Tighten bolt until the lever protector is tight and does not move up or down under normal pressure. Torque the M6 bolt to 12Nm.
 - 3 Do not ride if you are unsure if it is tight enough and always get a trained technician to confirm.
- Please note: We recommend to use a medium thread lock (not supplied) for correct operation.*



Fig. 1: ASSEMBLY



M18 THREADED BRAKE LEVER GUARD, 10mm SPACER BAR END, 160mm PART NO. BLG-M18-S10-A160-GBR

- 1 Remove existing bar end and replace with supplied assembly as in Fig 1 below.
 - 2 Tighten bolt until the lever protector is tight and does not move up or down under normal pressure. Torque the M6 bolt to 12Nm.
 - 3 Do not ride if you are unsure if it is tight enough and always get a trained technician to confirm.
- Please note: We recommend to use a medium thread lock (not supplied) for correct operation.*



Fig. 1: ASSEMBLY



FITTING INSTRUCTIONS

TO BE FITTED BY A QUALIFIED TECHNICIAN

M18 THREADED BRAKE LEVER GUARD, 15mm SPACER BAR END, 160mm PART NO. BLG-M18-S15-A160-GBR

- 1 Remove existing bar end and replace with supplied assembly as in Fig 1 below.
- 2 Tighten bolt until the lever protector is tight and does not move up or down under normal pressure. Torque the M6 bolt to 12Nm.
- 3 Do not ride if you are unsure if it is tight enough and always get a trained technician to confirm.
Please note: We recommend to use a medium thread lock (not supplied) for correct operation.

Fig. 1: ASSEMBLY



M12 THREADED BRAKE LEVER GUARD, 10mm SPACER BAR END, 160mm PART NO. BLG-M12-S10-A160-GBR

- 1 Remove existing bar end and replace with supplied assembly as in Fig 1 below.
- 2 Tighten bolt until the lever protector is tight and does not move up or down under normal pressure. Torque the M6 bolt to 12Nm.
- 3 Do not ride if you are unsure if it is tight enough and always get a trained technician to confirm.
Please note: We recommend to use a medium thread lock (not supplied) for correct operation.

Fig. 1: ASSEMBLY



UNIVERSAL BRAKE LEVER GUARD, **MOULDED REPLACEMENT PART ONLY** PART NO. BLG-A160

This is to be used with the GBRacing bar end and insert

- 1 Remove existing bar end and replace with supplied bar end.
- 2 Tighten bolt until the lever protector is tight and does not move up or down under normal pressure.
- 3 Do not ride if you are unsure if it is tight enough and always get a trained technician to confirm.

